

QUICK INSTALLATION GUIDE



AirEye®

**READ AND SAVE
THESE INSTRUCTIONS**



Operating Instructions and Maintenance:
bigfans.com/support



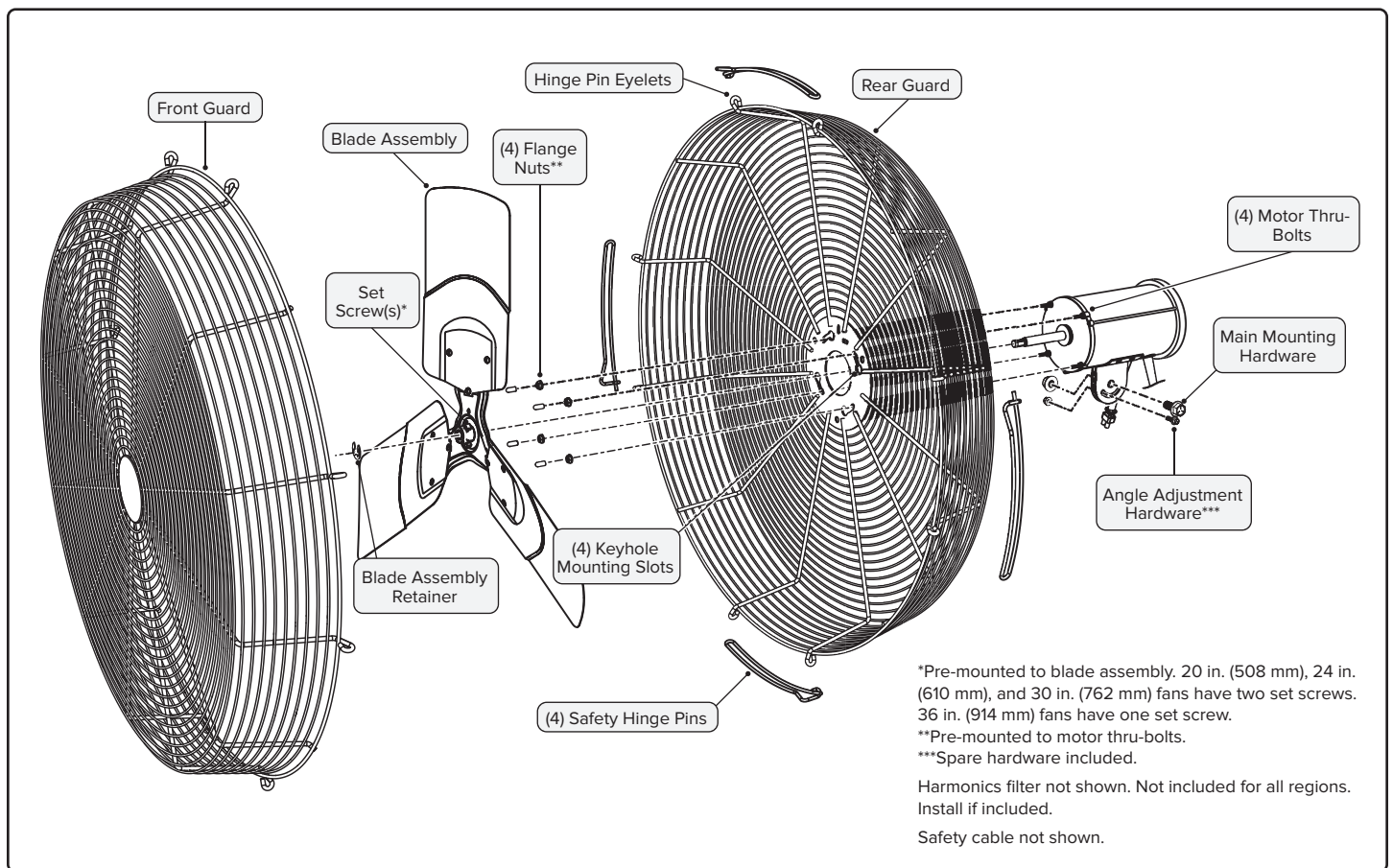
⚠ CAUTION: To reduce risk of personal injury, use only with mounting assembly models 007180, 007262, 009182, 007265, and 008001 manufactured by Big Fans.

TECHNICAL SPECIFICATIONS

Fan Size	Fan Weight*	Input Power	Max Amps	Max Power
20 in. (508 mm)	32 lb (14.5 kg)	100–120 VAC, 1Φ, 50/60 Hz 208–240 VAC, 1Φ, 50/60 Hz	6.36 A 3.48 A	363 W 345 W
24 in. (610 mm)	38 lb (17.2 kg)	100–120 VAC, 1Φ, 50/60 Hz 208–240 VAC, 1Φ, 50/60 Hz	5.53 A 3.22 A	318 W 311 W
30 in. (762 mm)	45 lb (20.4 kg)	100–120 VAC, 1Φ, 50/60 Hz 208–240 VAC, 1Φ, 50/60 Hz	4.64 A 2.6 A	256 W 250 W
36 in. (914 mm)	67.1 lb (30.4 kg)	110–120 VAC, 1Φ, 50/60 Hz 208–240 VAC, 1Φ, 50/60 Hz	9.81 A 5.68 A	595 W 582 W

*Includes fan motor, blades, and cage assembly.

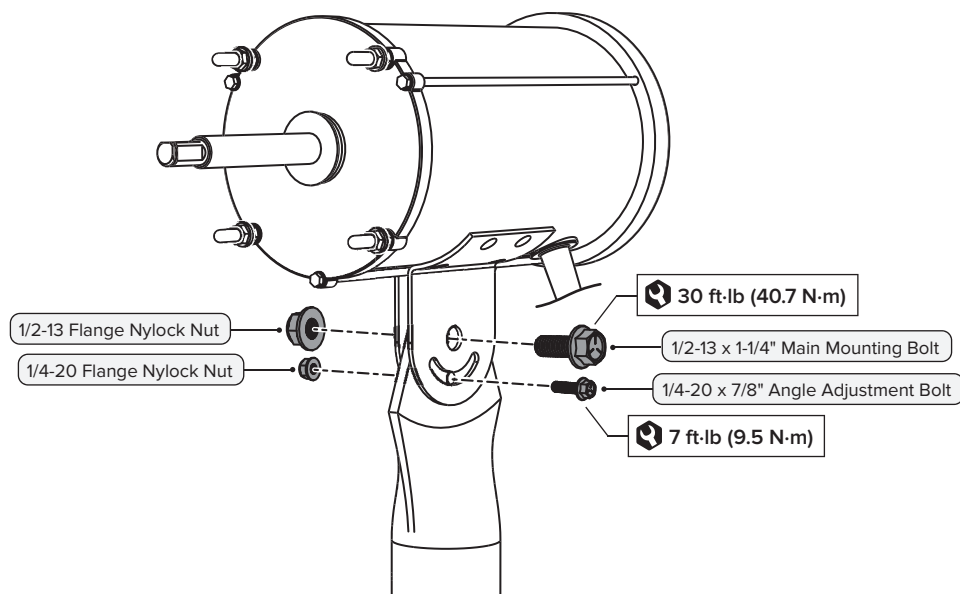
PARTS AND HARDWARE



1. MOTOR

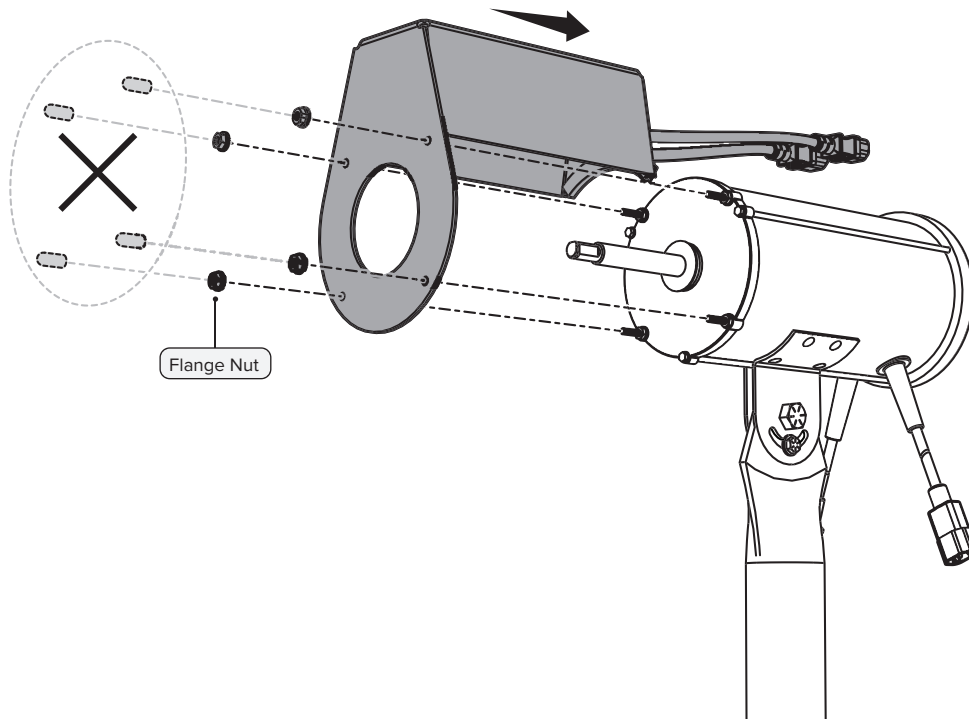
Make sure fan mount has been installed as specified in the mounting instructions.

To adjust motor angle, loosen main mounting bolt and angle adjustment bolt.



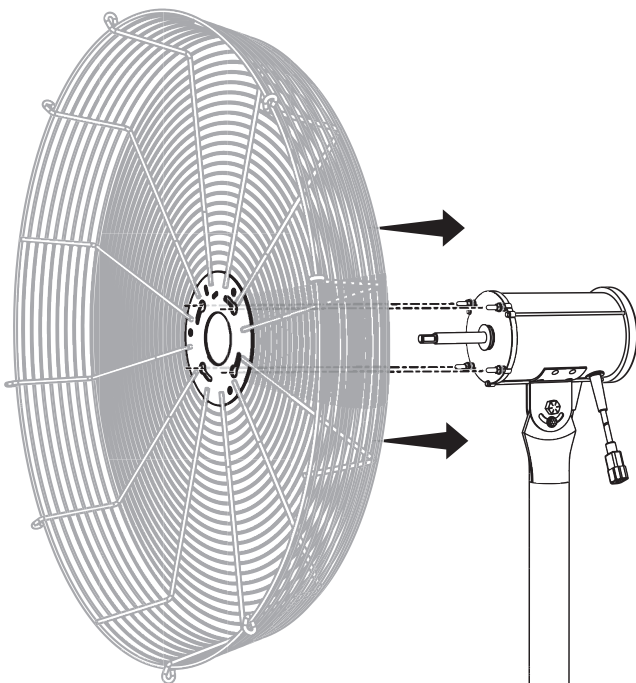
2. HARMONICS FILTER

Select regions only. Install if included with your fan.

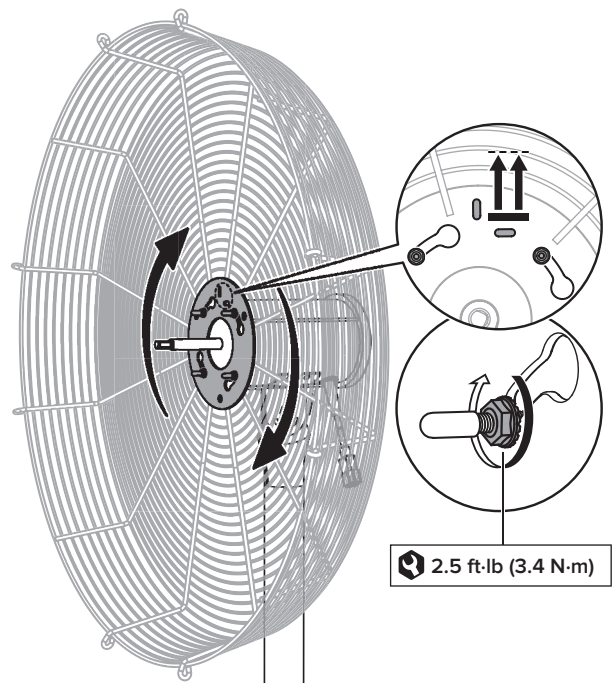


3. REAR GUARD

Align Mounting Slots

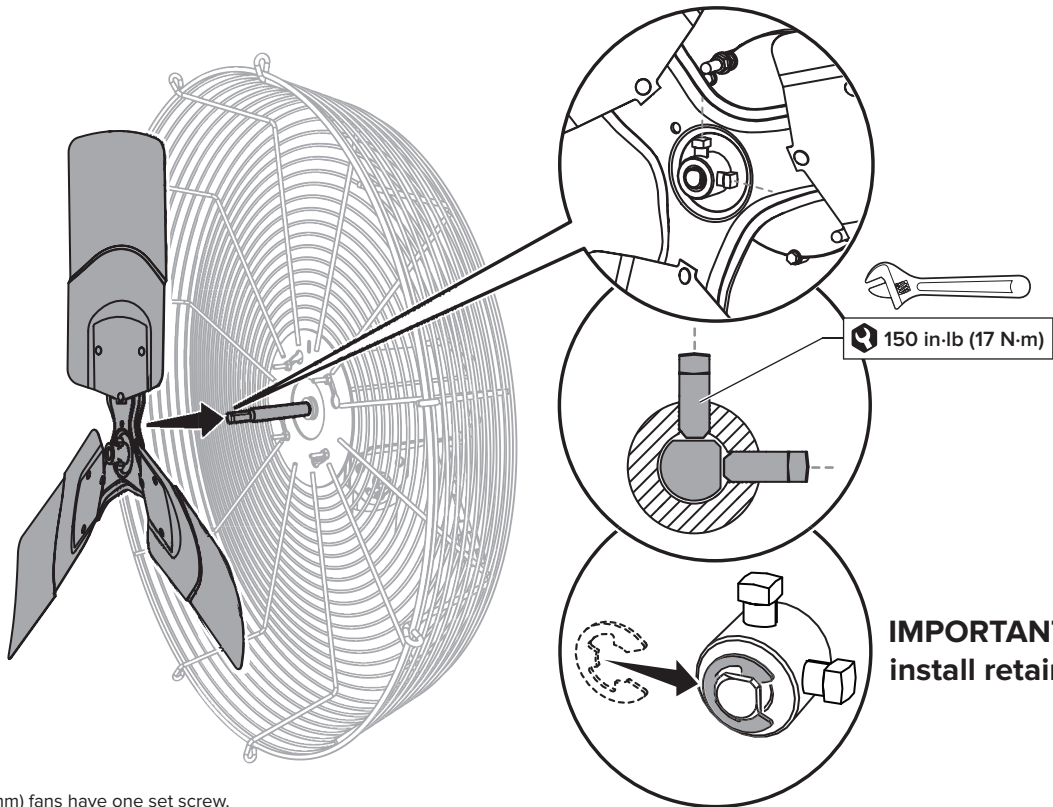


Secure Guard



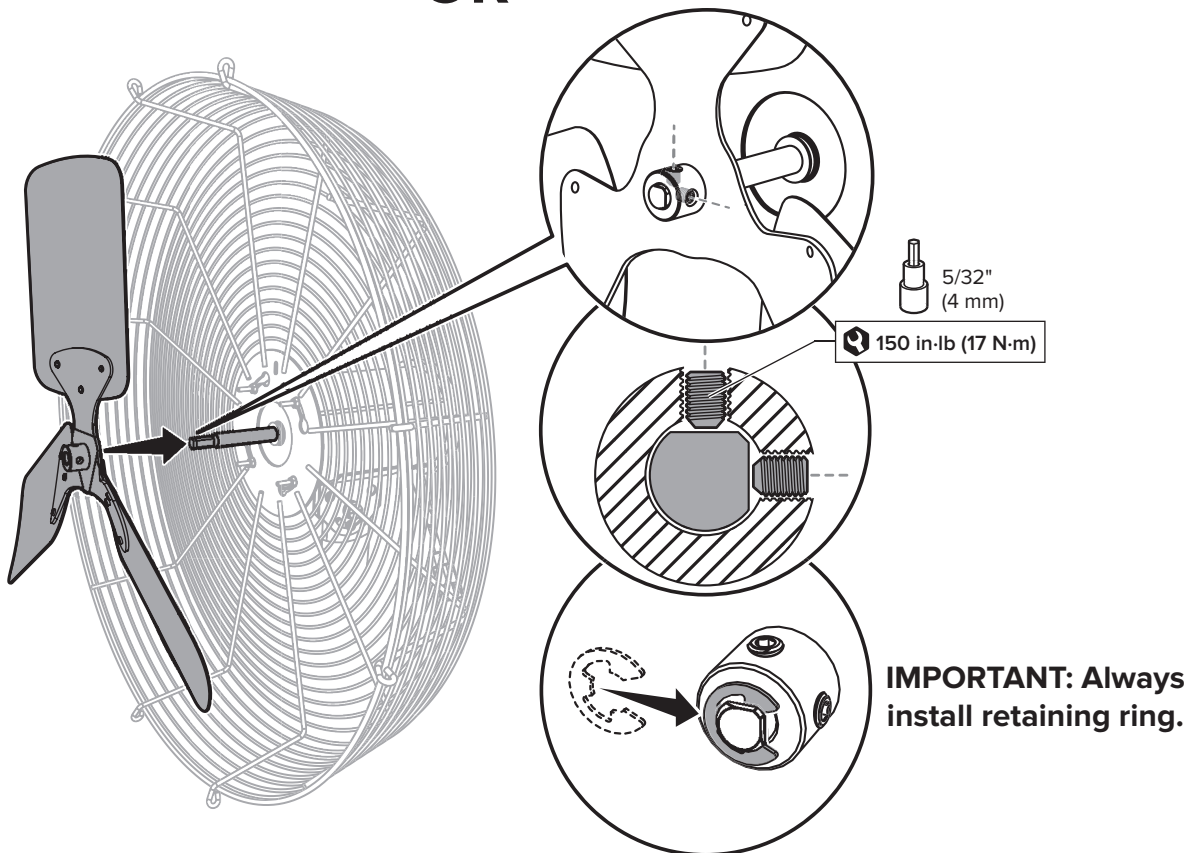
4. BLADE ASSEMBLY

Ensure blade assembly is fully seated onto shoulder of shaft and set screws are aligned to flats of shaft.



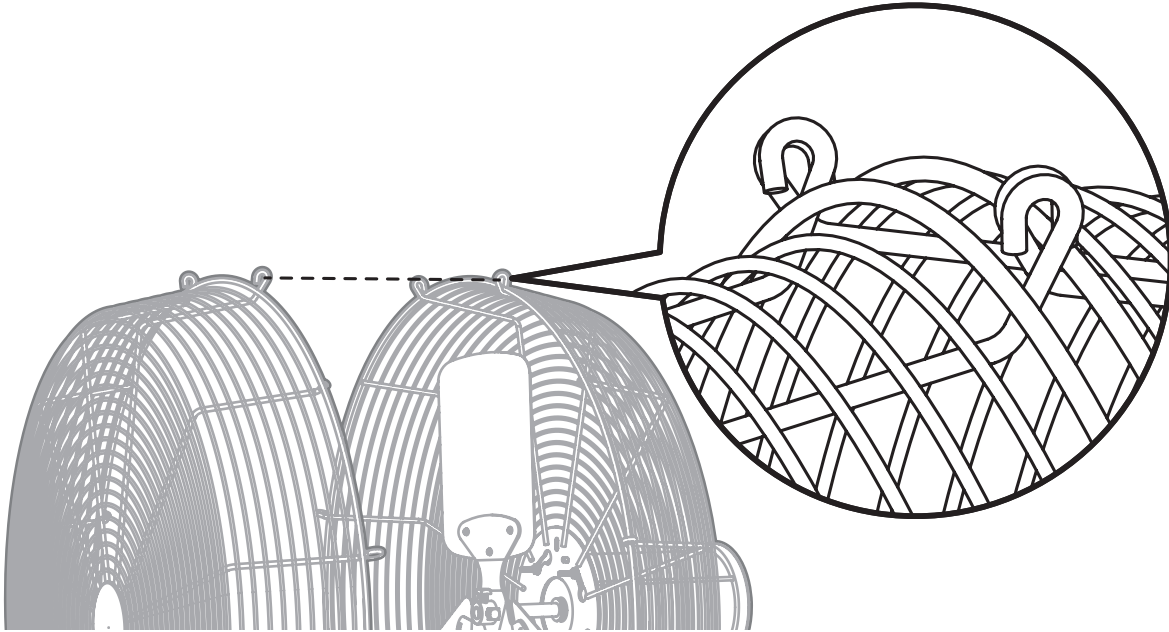
36 in. (914 mm) fans have one set screw.

OR



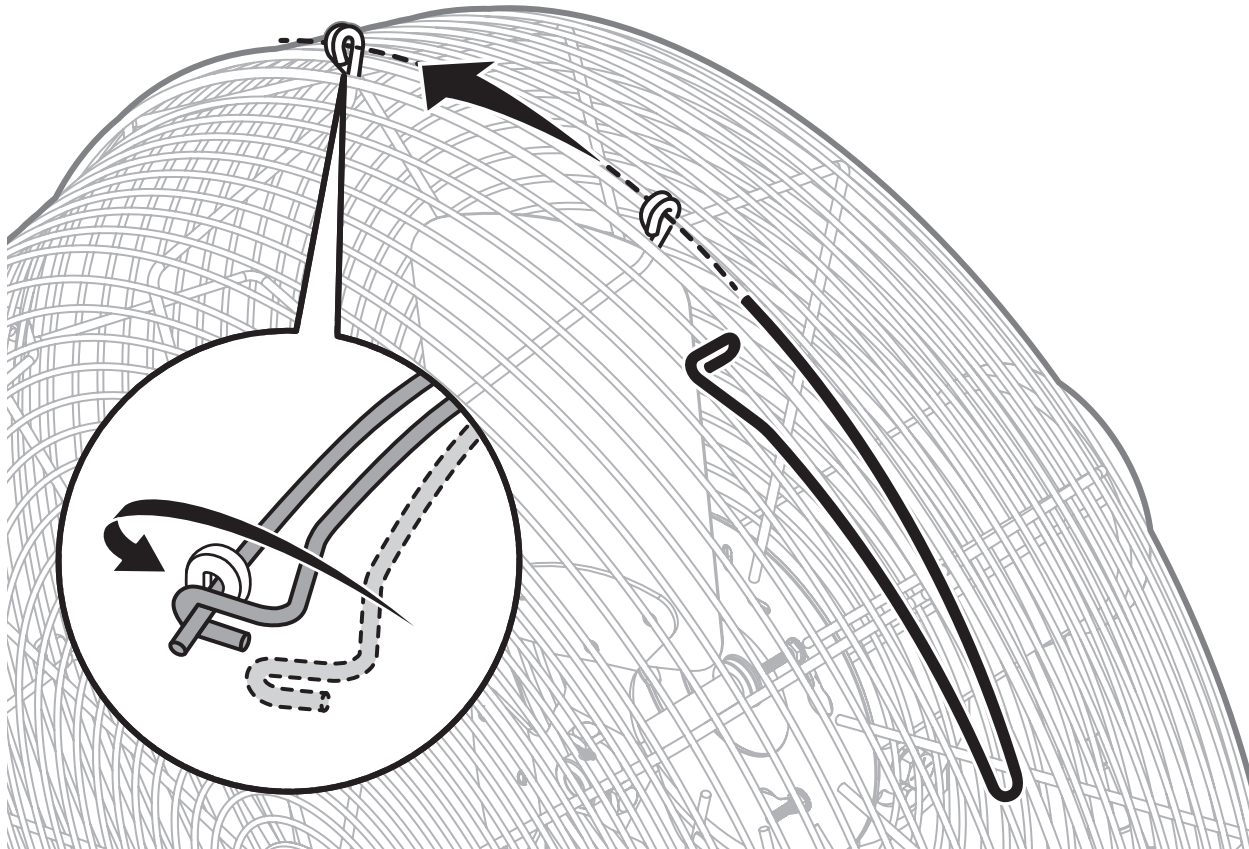
5. FRONT GUARD

Align Eyelets



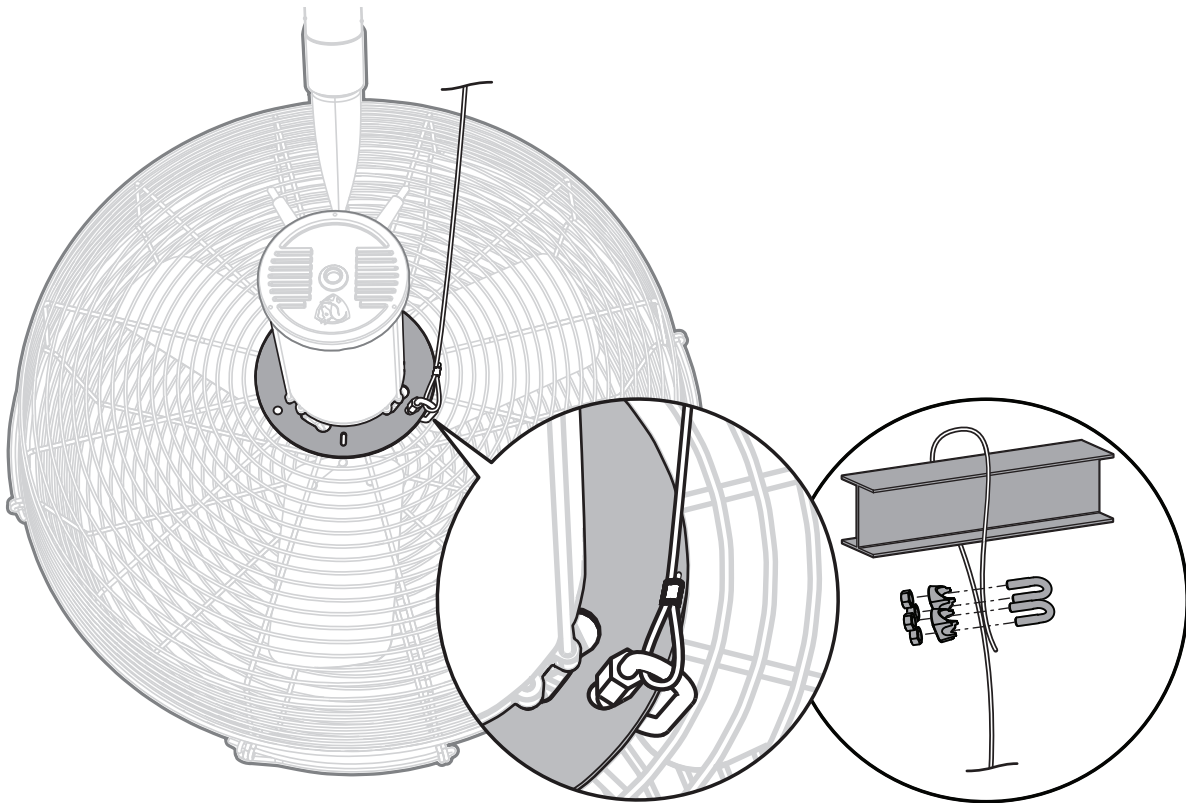
Fasten Hinge Pins

Start with topmost hinge.

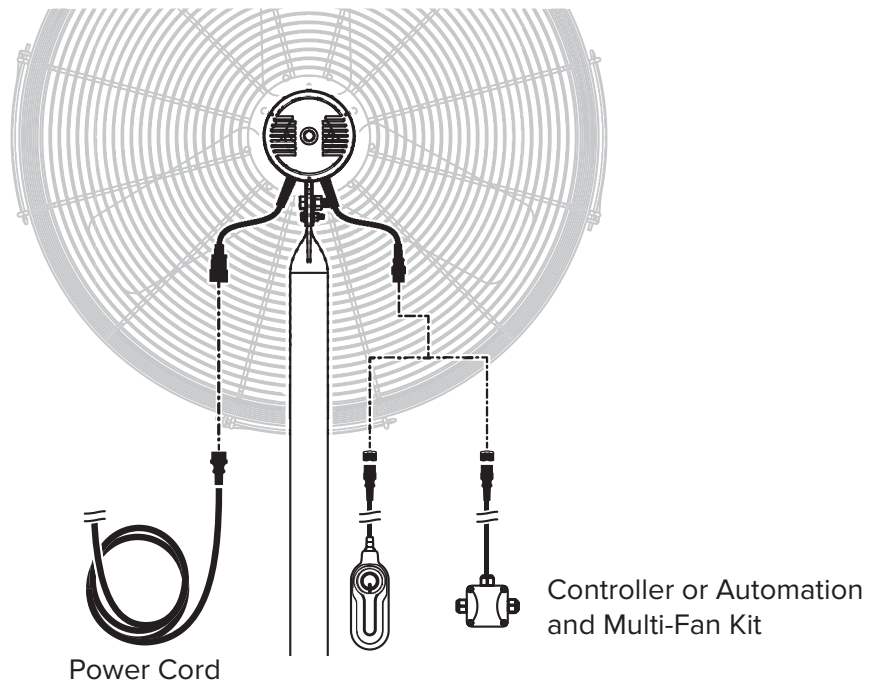


6. SAFETY CABLE

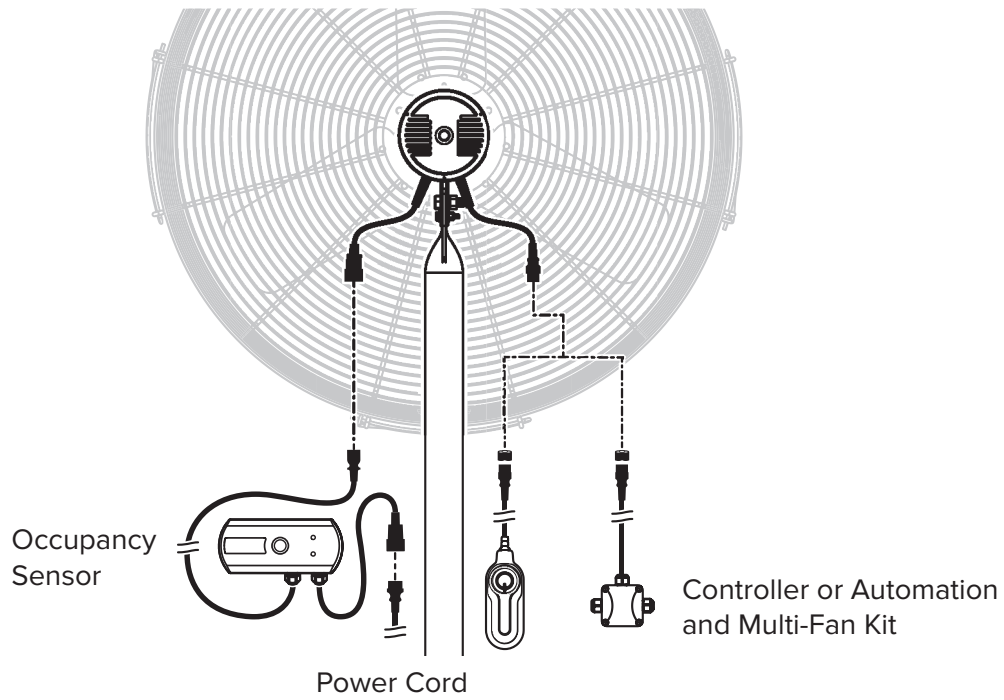
Do not attach safety cable to fan mount under any circumstances.



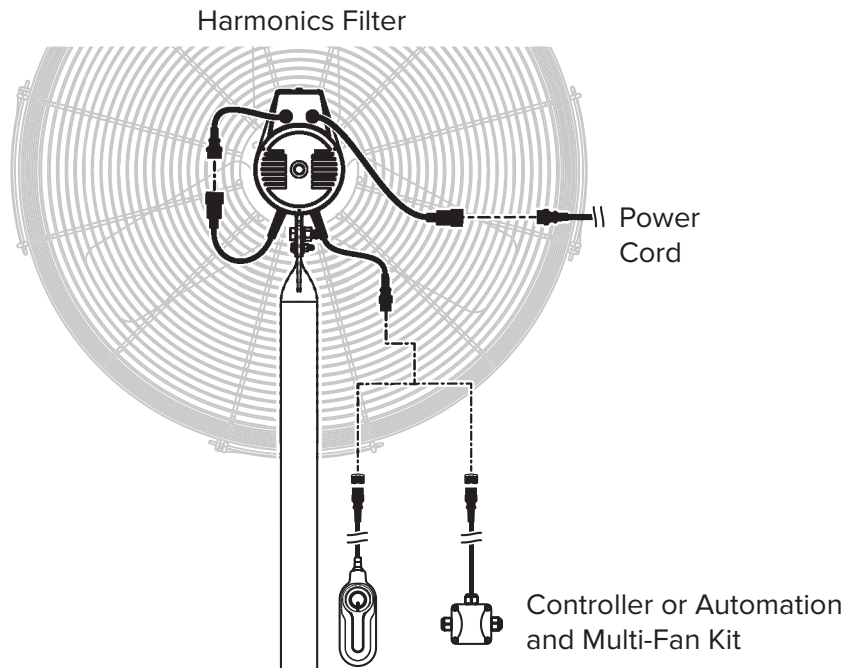
ELECTRICAL CONNECTIONS: FAN ONLY



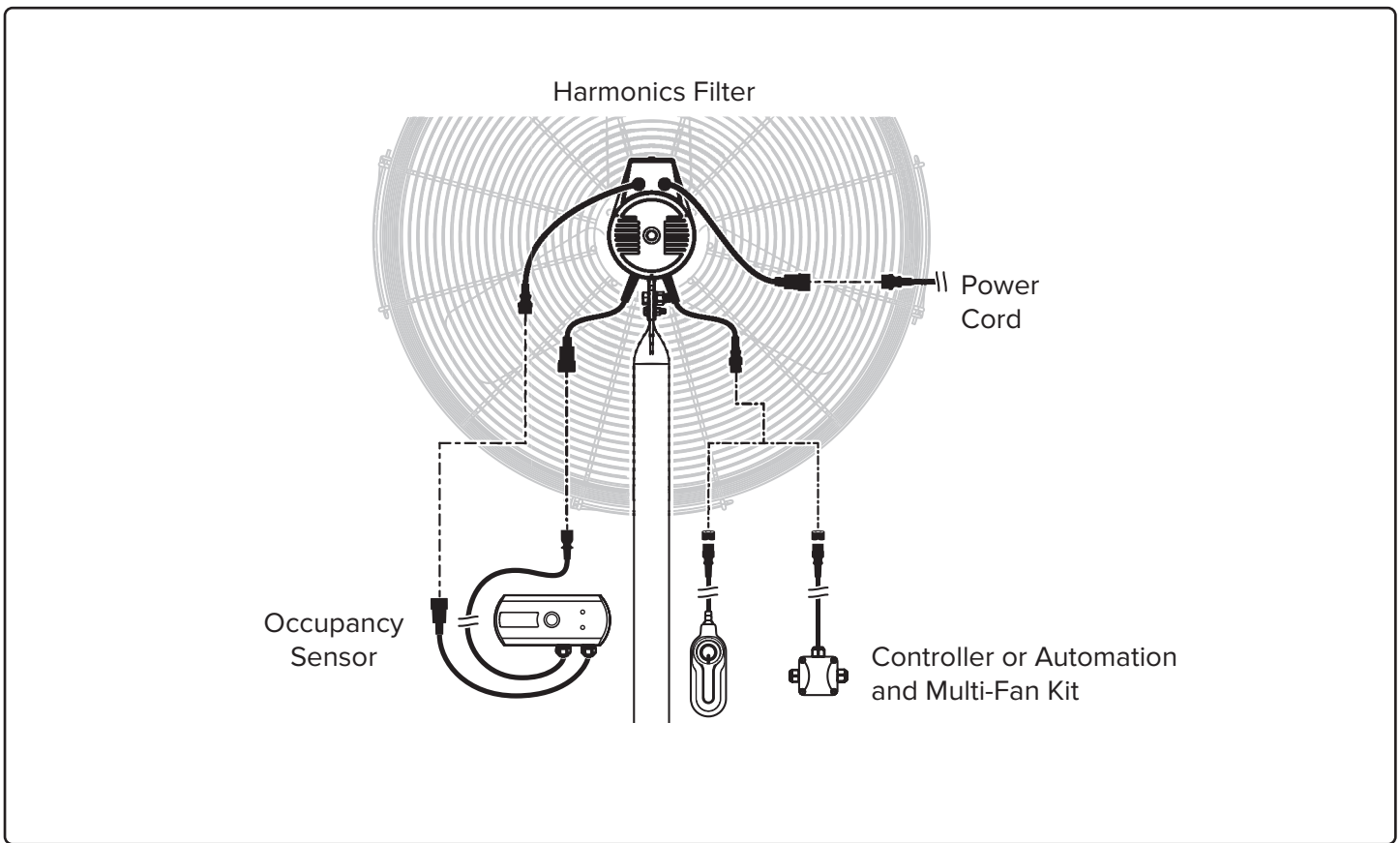
ELECTRICAL CONNECTIONS: FAN WITH OCCUPANCY SENSOR



ELECTRICAL CONNECTIONS: FAN WITH HARMONICS FILTER

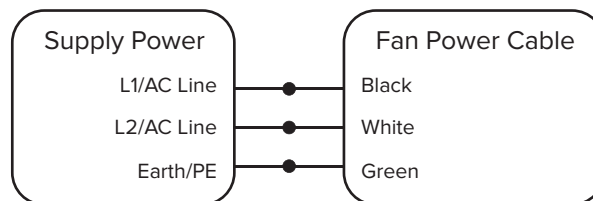


ELECTRICAL CONNECTIONS: FAN WITH OCCUPANCY SENSOR AND HARMONICS FILTER

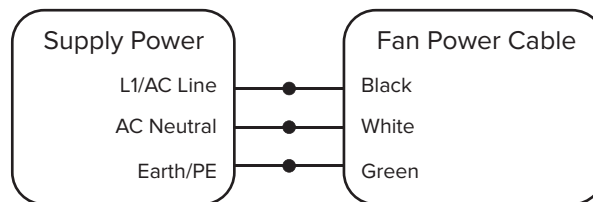


POWER WIRING: 208-240 V FANS

Single Phase (L1 + L2 + PE)



Single Phase (L1 + N + PE)



Conforms to UL 507: Electric Fans
Certified to CSA C22.2 No. 113: Fans & Ventilators

