

PIVOT

Deliver powerful cooling wherever you need it with Pivot. The most flexible Big Ass fan, it's capable of a virtually infinite number of speeds and positions. Wall-mount it to avoid obstructions or angle it down long aisles and let its quiet, efficient direct-drive motor create comfort where you never thought possible.



KEY FEATURES

- ▶ **Six aluminum airfoils** with winglets in a durable steel cage
- ▶ **Gearless direct-drive motor** and precision-molded hub for max efficiency
- ▶ **Suite of safety features** including airfoil retainers and aircraft cables
- ▶ **Smooth, quiet performance** with variable speed control
- ▶ **Powerful airflow** provides coverage up to 120 feet (37 meters) away
- ▶ **Direct airflow anywhere** with over 1,000 operational settings

DIAMETER

6.35 FEET
(1.9 METERS)

MOUNTING

**OVERHEAD BAR JOISTS,
I-BEAMS, AND VERTICAL COLUMNS**

VOLTAGE

**110-125 OR 200-240
MULTI-PHASE VAC**

WARRANTY

**UP TO
5 YEARS**



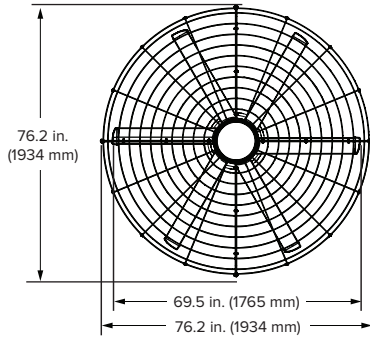
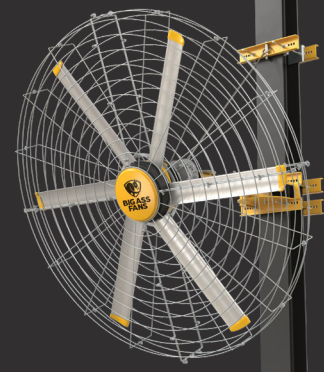
**COMFORT WITHOUT
COMPROMISE**

**DISCOVER MORE
ABOUT PIVOT**

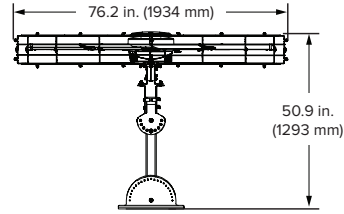
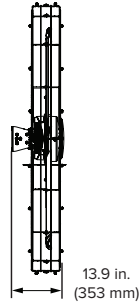
Learn more at bigassfans.com/pivot
or call **877.BIG.FANS** for a free custom quote.

PIVOT

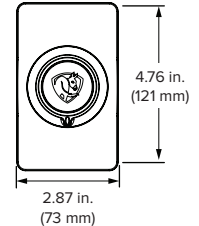
THE BIG ASS FAN FOR HARD-TO-REACH PLACES



Fan Cage



Column Mount



Controller

Construction and Warranty				
Cage and Mount ¹	Motor	Controller	Safety Features	Mounting
Durable steel cage Pivoting joints	Gearless direct drive	Variable speed controller mounts to single-gang junction box or to wall	Airfoil retainers, safety cables, and guy wires	Overhead bar joists and I-beams Vertical columns

Electrical and Performance							
Model Number	Supply Power ²	Amperage	Max Speed	Max Power	Weight	Operating Temperature	Sound Level at Max Speed ³
F-PV2-0601	110–125 VAC, 1 Φ, 50/60 Hz, 15 A	7.8–7.1 A	293 RPM	498 W	114 lb (51.7 kg)	-4°F to 131°F (-20°C to 55°C)	78.2 dBA
F-PV2-0602	200–240 VAC, 1 Φ, 50/60 Hz, 10 A	5.6–4.6 A					

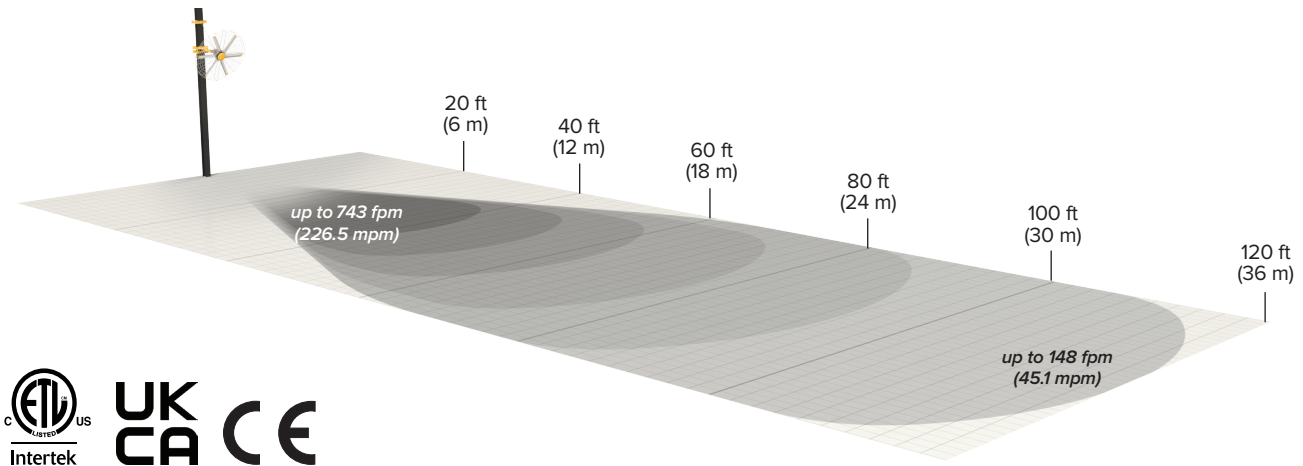
¹ Pivot should not be mounted/angled less than or equal to 45 degrees from horizontal.

² 480 V stepdown transformer available.

³ Fans are sound tested at maximum speed in a laboratory environment. Actual results in field conditions may vary due to sound reflecting surfaces and environmental conditions.

Airflow Velocity

Measured in feet per minute (meters per minute)



Column-mounted Pivot tested at 10 ft (3 m) above floor with four sensors at varying heights.

Lead times may vary. See full warranty for coverage information.



USA
BIGASSFANS.COM
877-244-3267

CANADA
BIGASSFANS.COM
844-924-4277

AUSTRALIA
BIGASSFANS.COM/AU
1300 244 277

SINGAPORE
BIGASSFANS.COM/SG
65 6709 8500